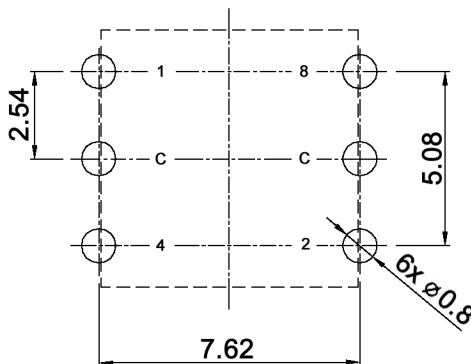


P.C.B. DIMENSION



Hexadecimal

		Real coded				
		C	1	2	4	8
16 P o s i t i o n s	0	●				
	1	●	●			
	2	●		●		
	3	●	●	●		
	4	●			●	
	5	●	●		●	
	6	●		●	●	
	7	●	●	●	●	
	8	●				●
	9	●	●			●
	A	●		●		●
	B	●	●			●
	C	●			●	●
	D	●	●		●	●
	E	●		●	●	●
	F	●	●	●	●	●

Specifications:

- Contact rating: non-switching: 400mA, 42
switching: 100mA, 42V
- Contact resistance: 80mOhm max.
- Insulation resistance: 100MOhm min. at 250V DC for 1 minute +/-5sec.
- Dielectric strength: 250V DC (50Hz/60Hz) for 1 minute
- Operating temperature: -50°C to +125°C
- Storage temperature: -55°C to +135°C
- Mechanical life: 25 000 cycles
- Operating force: 2.5 Ncm max.
- Soldering conditions: auto-soldering: max.: 260 +/-5°C, 5 +/-1sec.
- Packaging unit: 70 pcs / tube
- Material: Cover / spring plate / guide plate: stainless steel
Contact / terminal: phosphor bronze, min. 0.07µm gold plated
over min. 0.3µm nickel
Rotor / base: PA66
O-ring: silicone
Actuator color: gray
- Protection: IP67
- Compliance: RohS III (2015/863/EU)

Tolerances: DIN ISO-2768-1m 0.5-6: ±0.1 mm 6-30: ±0.2 mm	Date	Name
	10/08	dr

DRS 15016

Torque	05/24	dr	knitter-switch
Packaging unit	09/12	dr	
Modifications	Date	Name	

30 16 26